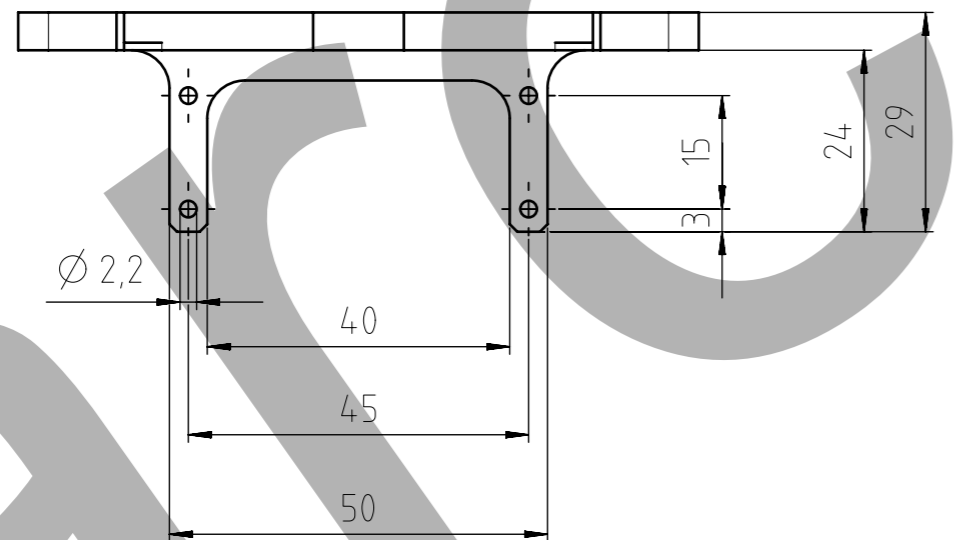
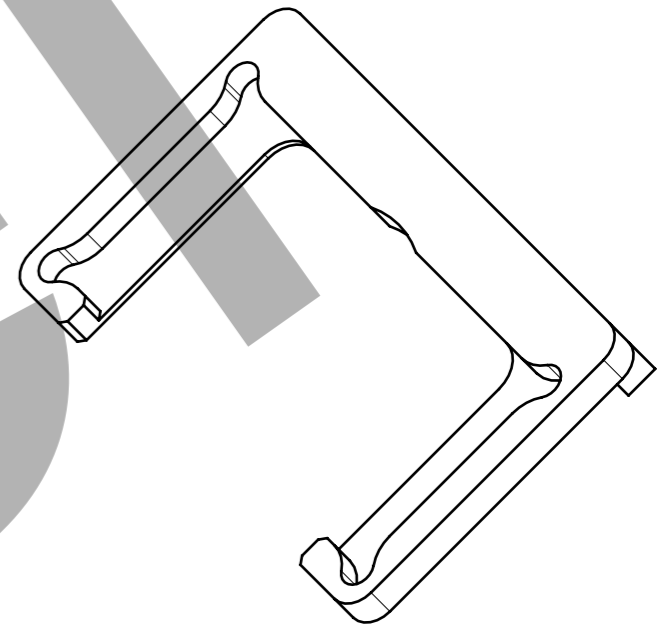


Doorsnede A-A



Bestaand onderdeel aanpassen. Aperture voor slide van 40mm naar 62mm

06	1	Samplehouder	AL6082	Zwart Anodiseren		
Item	Qty	Partname	Material	Partnumber/Remarks		
Physics of Cellular Interactions 01 K2-Varia			Date	Name		
			DRN	MV		
			PRD	I. Cerjak		
scale: 1:1		0 50	 Dim.in mm	General tolerances unless otherwise specified ISO-2768-fH-E	Geometrical tolerances unless otherwise specified ISO-8015-E	Surface roughness of machined surfaces unless otherwise specified 3,2 Ra (maximum standard) 1,6 Ra (fitting typical)
				Size A3	Partnumber: CELIN-01-00-06A	
Number of sheets: 1 of 1						

This drawing may not be used for commercial purposes without written authorisation