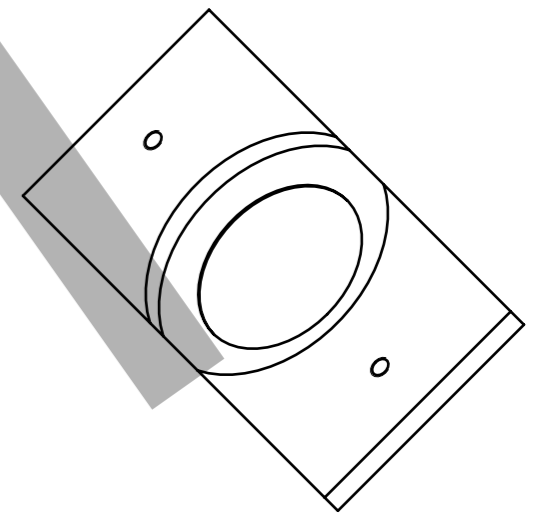
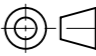




Doorsnede A-A



07	1	Sampleholder insert	AL6082	Zwarte Anodiseren		
Item	Qty	Partname	Material	Partnumber/Remarks		
<b>Physics of Cellular Interactions</b> 01 K2-Varia			Date	Name		
			DRN	MV		
			PRD	I. Cerjak		
scale: 1:1		0 50	 Dim.in mm	General tolerances unless otherwise specified ISO-2768-fH-E	Geometrical tolerances unless otherwise specified ISO-8015-E	Surface roughness of machined surfaces unless otherwise specified 3,2 Ra (maximum standard) 1,6 Ra (fitting typical)
 		Size	Partnumber:			
		A3	<b>CELIN-01-00-07</b>			
Number of sheets: 1 of 1						